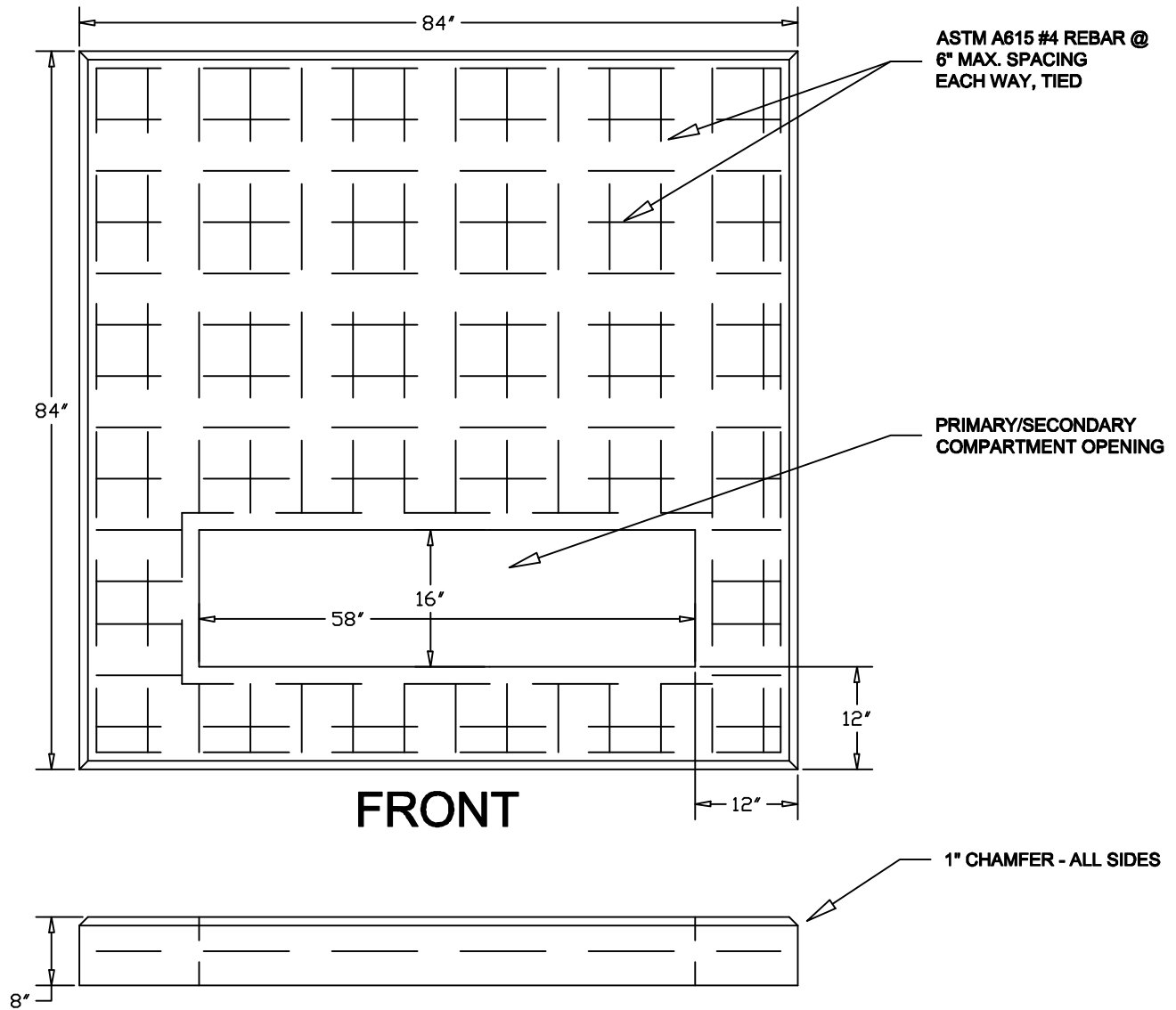


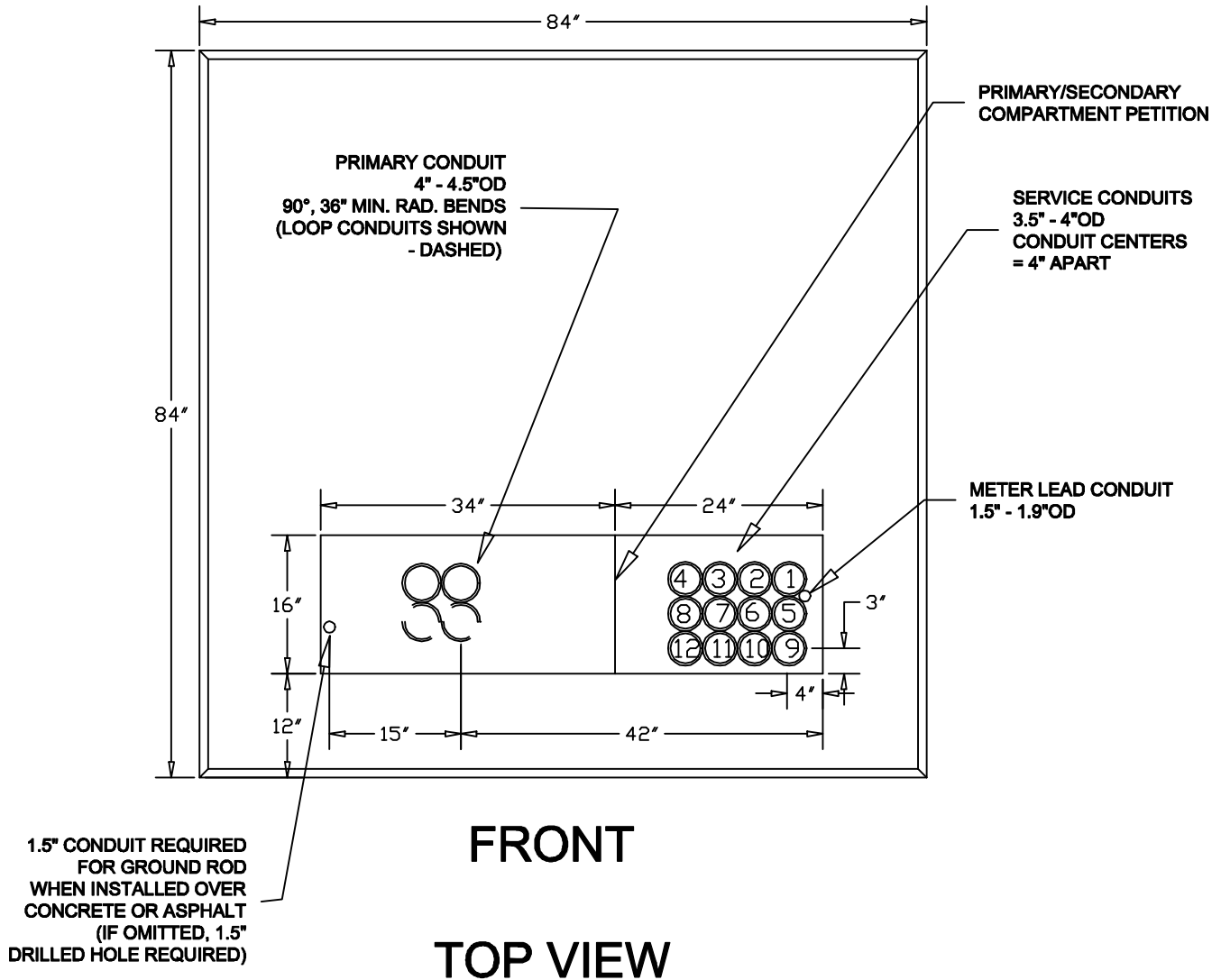
# 75 - 750kVA TRANSFORMER PAD DETAIL



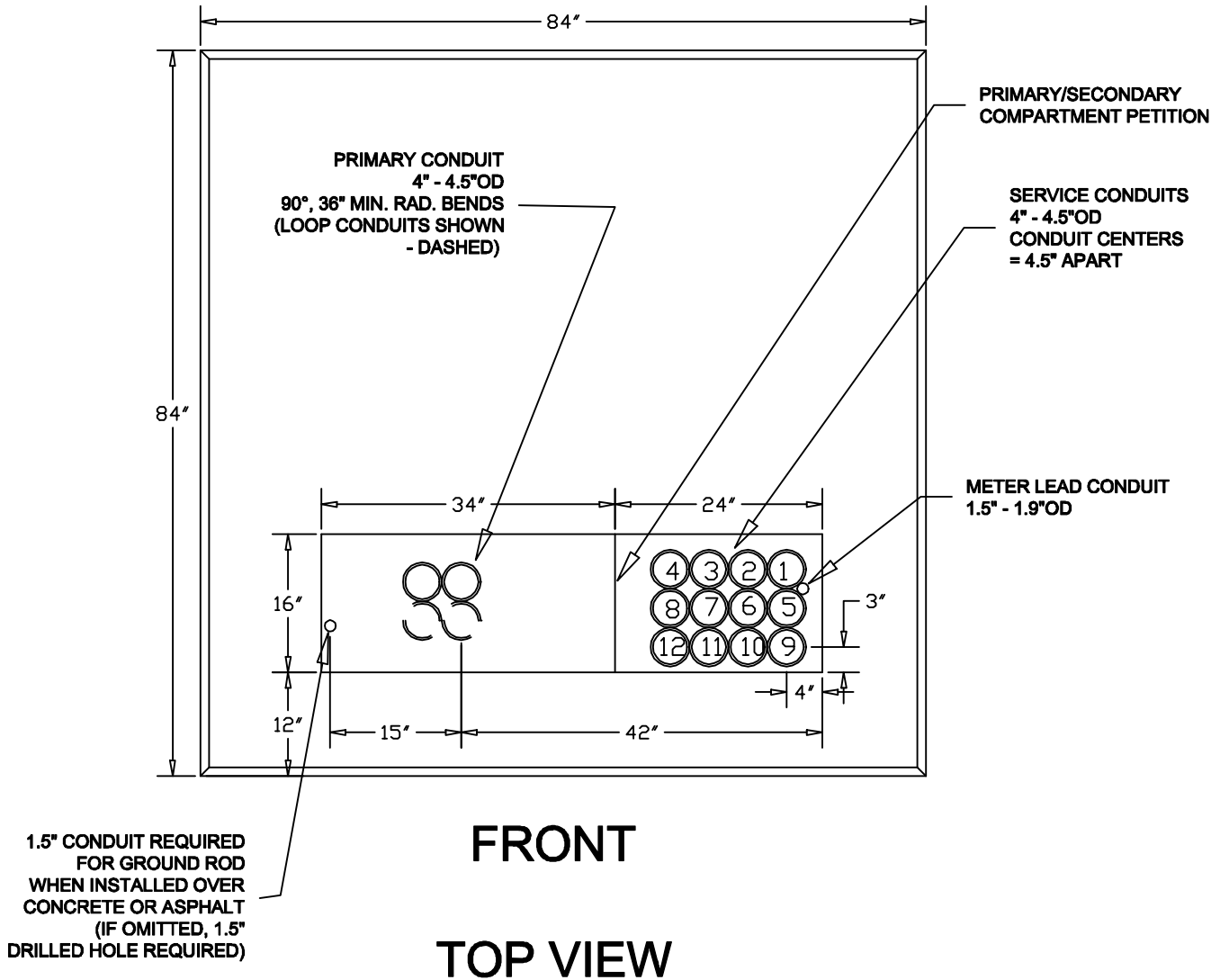
## NOTES:

1. CONCRETE TESTING TO 4,000 PSI, 4-6% MAXIMUM AGGREGATE SIZE
2. REBAR SHALL BE CENTERED IN PAD WITH MIN. 2" EMBEDMENT
3. WOOD FLOAT FINISH, NO DEPRESSIONS.

## 3.5" SECONDARY CONDUITS



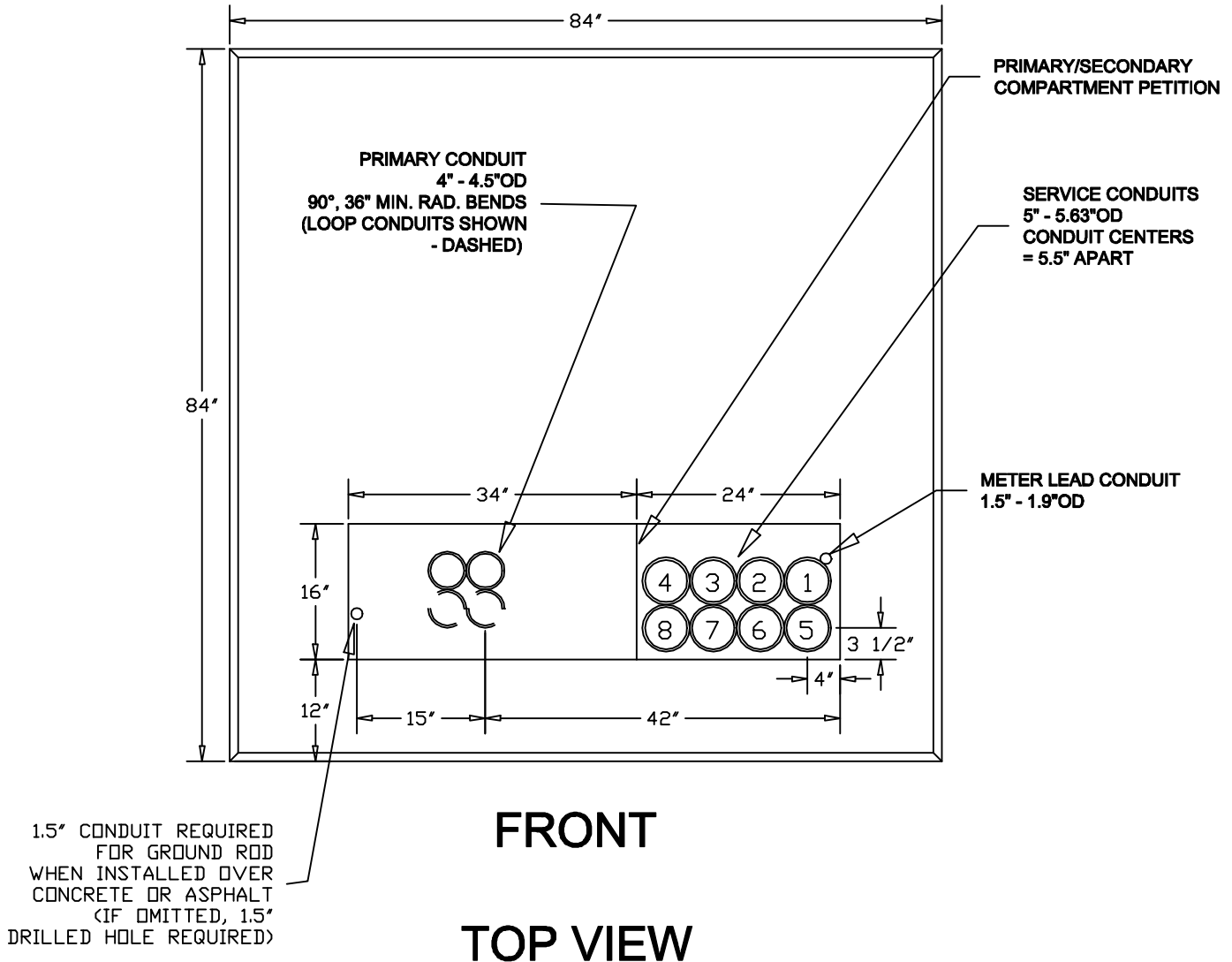
## 4" SECONDARY CONDUITS



**NOTES:**

1. PLEASE REFER TO 75-750 T/F DRAWING FOR POURED IN PLACE PAD REQUIREMENTS.
2. CUSTOMER/CONTRACTOR TO FURNISH ALL NEMA 2-HOLE SERVICE CONNECTORS. INSTALLED BY NORTHCENTRAL.
3. CONDUITS SHALL BE INSTALLED IN ORDER SPECIFIED PER DRAWING
4. PLEASE SEE T/F CONN CHART FOR TYPICAL MAXIMUM NUMBER OF CONNECTIONS FOR T/F SIZE.

## 5" SECONDARY CONDUITS



**NOTES:**

1. PLEASE REFER TO 75-750 T/F DRAWING FOR POURED IN PLACE PAD REQUIREMENTS.
2. CUSTOMER/CONTRACTOR TO FURNISH ALL NEMA 2-HOLE SERVICE CONNECTORS. INSTALLED BY NORTHCENTRAL.
3. 5" CONDUITS ARE LIMITED TO 8 DUE TO SPACE.
4. CONDUITS SHALL BE INSTALLED IN ORDER SPECIFIED PER DRAWING
5. PLEASE SEE T/F CONN CHART FOR TYPICAL MAXIMUM NUMBER OF CONNECTIONS FOR T/F SIZE.